

Mincer AK-RAMON P-32



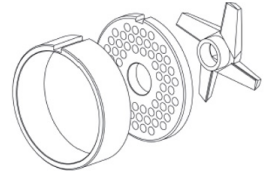
- Totally manufactured in AISI 304 stainless steel.
- Compact and very robust design.
- Plates and knives included.
- Throat removable.
- Steel reducer in oil bath.
- Push hammer.
- Thermal motor protection.
- Hand protection in the tray according to CE.
- Suitable for all types of meats.
- Production: 425 kg/h.
- Three-phase motor power 1 HP/ 0.73 kW.
- Tray dimensions: 310x410x55 mm.
- Net Weight: 48 kg.

Cutting system

- Enterprise aluminium system.
- Enterprise stainless steel system.
- Unger stainless steel system

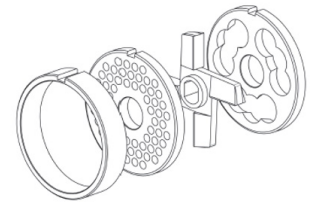
Enterprise Cutting system - Simple cut

Model	Ø Throat	Plate and knives
P-32	100	1 Knife simple cut 1 Plate Ø5



Unger Cutting system - Double cut

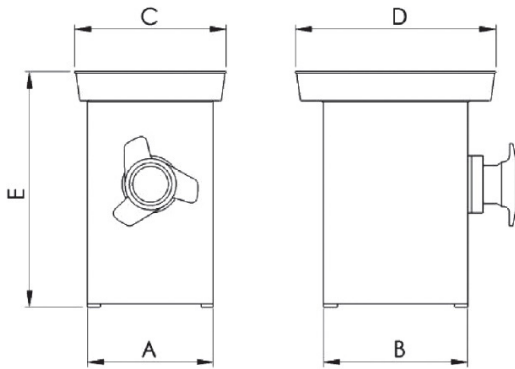
Model	Ø Throat	Plate and knives
P-32	98	1 Plate pre-cut 3 eyes 1 Knife double cut 1 Plate Ø5



Technical information

	P-32
Production	±425
Three-phase motor power HP/Kw	1/0.73
Single-phase motor power HP/Kw	-
Packaging dimensions (mm)	595x350x520
Net/Gross weight (kg)	48/52

Dimensions in mm



	A	B	C	D	E
P-32	255	295	310	410	490